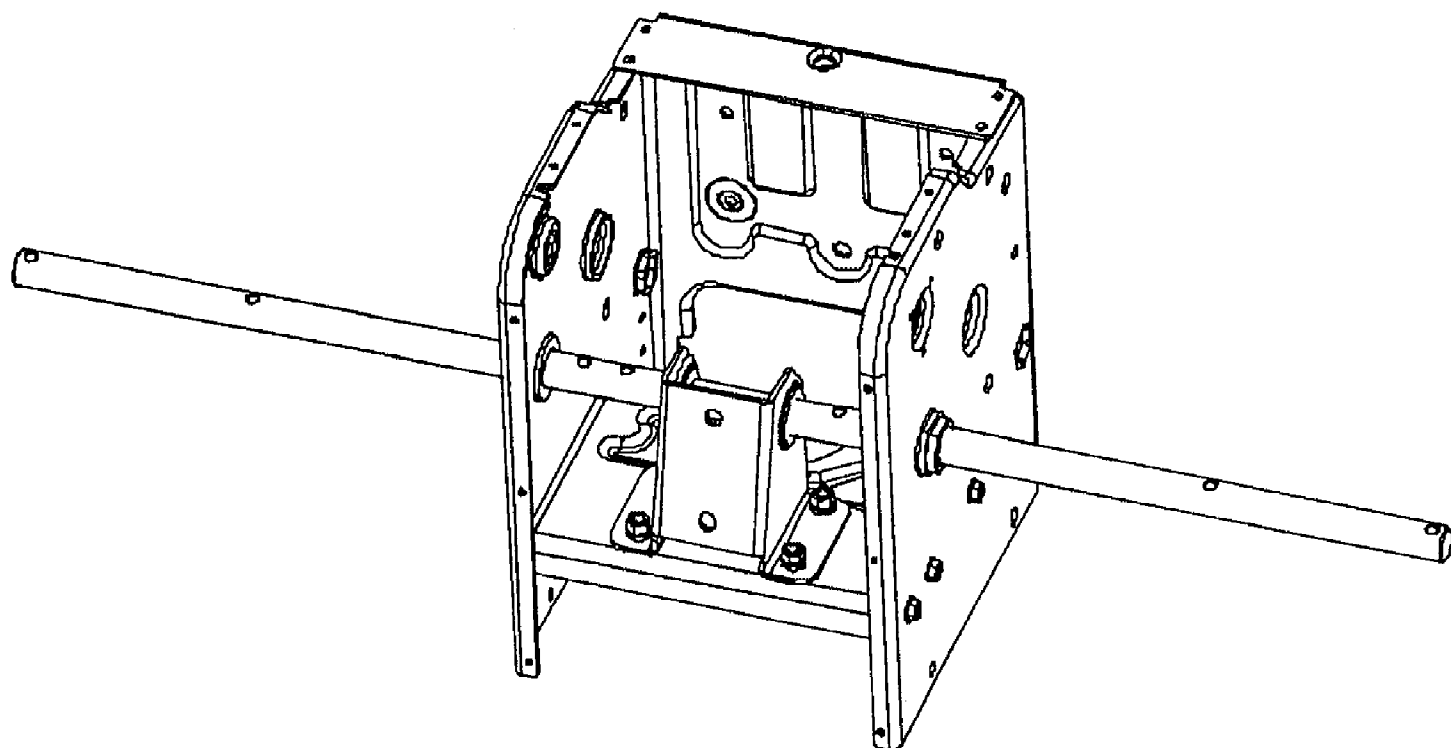
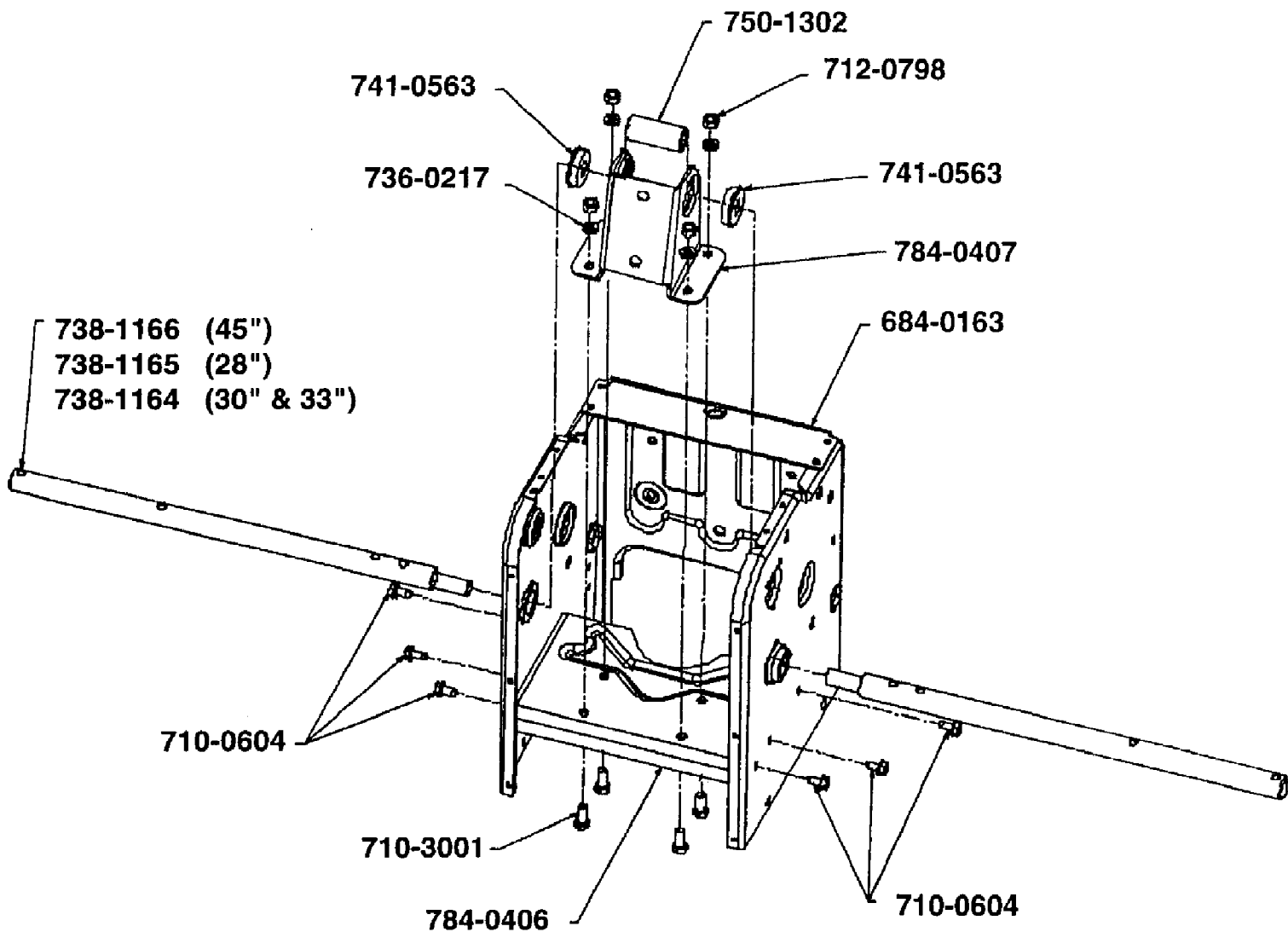


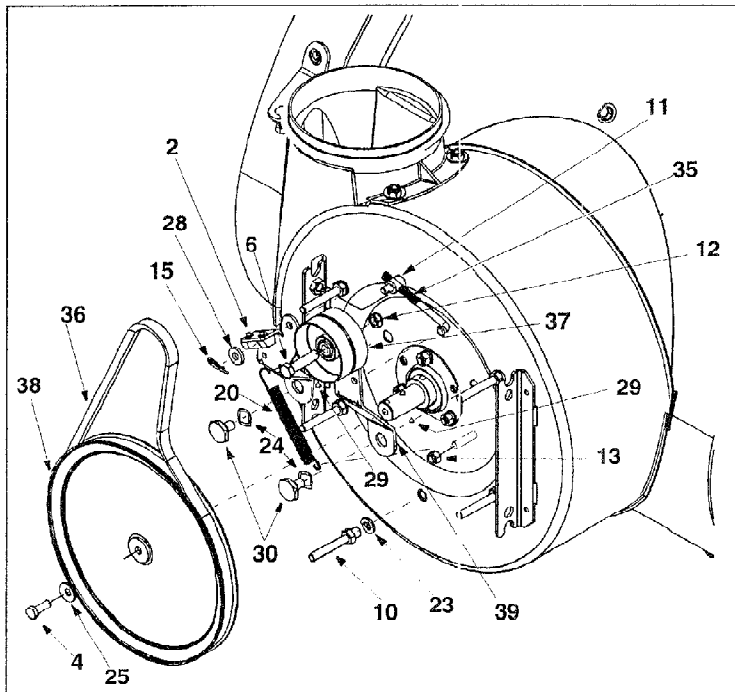
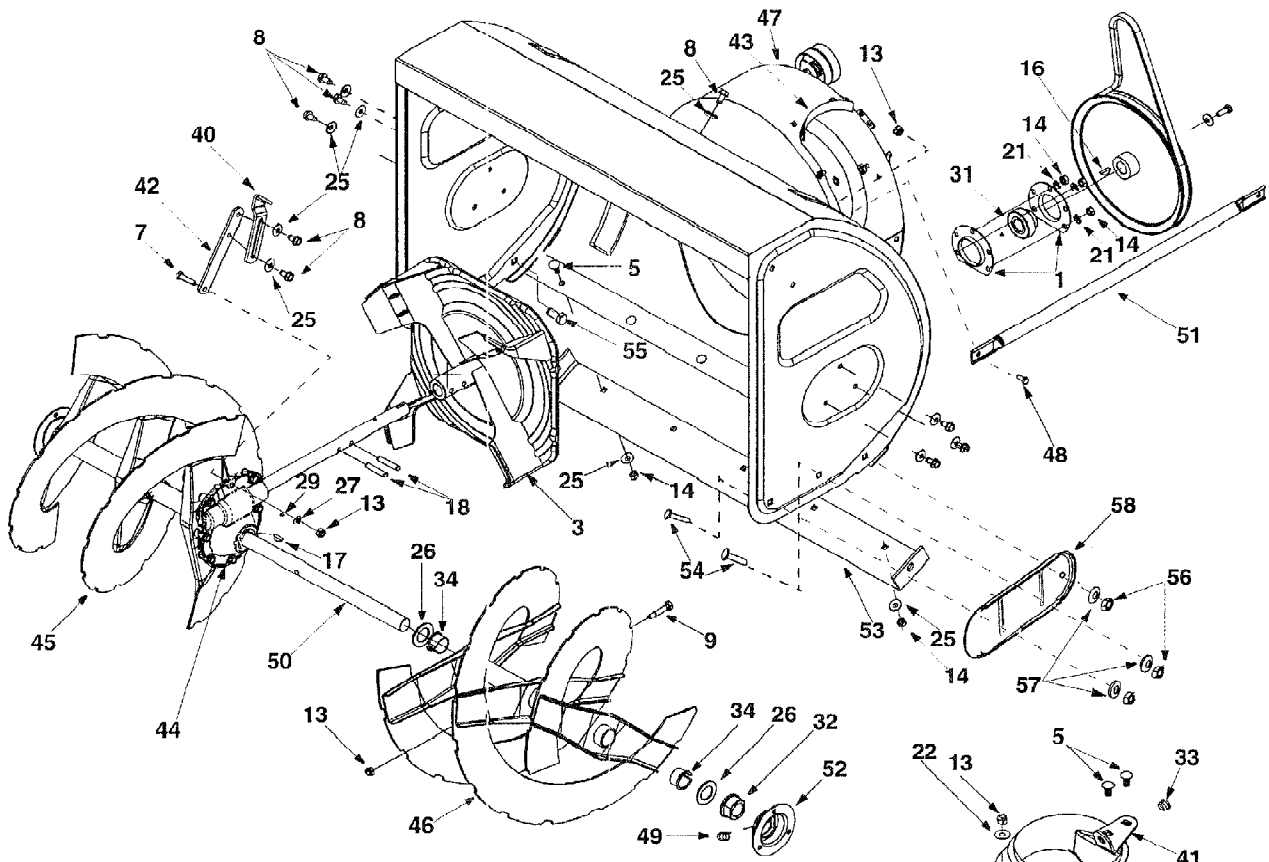
31AE993J190 Snow Boss 1355W (2001)  
Axle & Frame Support Bracket (S/N XXXXX - XXXXX)



31AE993J190 Snow Boss 1355W (2001)  
Axle & Frame Support Bracket (S/N XXXXX - XXXXX)

Page 2 of 22

Ref #	Part Number	Qty	S/P/F	Description
684-0163	684-0163	1		Trans. Frame
710-0604	710-0604	6	S	Screw
710-3001	710-3001	4	/P	Bolt
712-0798	712-0798	4	/P	Nut
736-0217	736-0217	4	S	Lock Washer
738-1164	738-1164	2	S	Axle, 30" & 33" Housing
738-1165	738-1165	2		Axle, 28" Housing
738-1166	738-1166	2	S	Axle, 45" Housing
750-1302	750-1302	1	S	Spacer
741-0563	741-0563	1	S	Ball Bearing
784-0406	784-0406	1	S	Frame Support Bracket
784-0407	784-0407	1	S	Axle Support Bracket



**NOTE:** For painted parts, please refer to the list of color codes below. Please add the applicable color code, wherever needed, to the part number to order a replacement part. For instance, if a part, numbered 700-xxxx, is painted Oyster Gray, the part number to order would be 700-xxxx-0662.

- Oyster Gray: 0662
- Powder Black: 0637
- Red Metallic: 0650

31AE993J190 Snow Boss 1355W (2001)  
Blower Housing

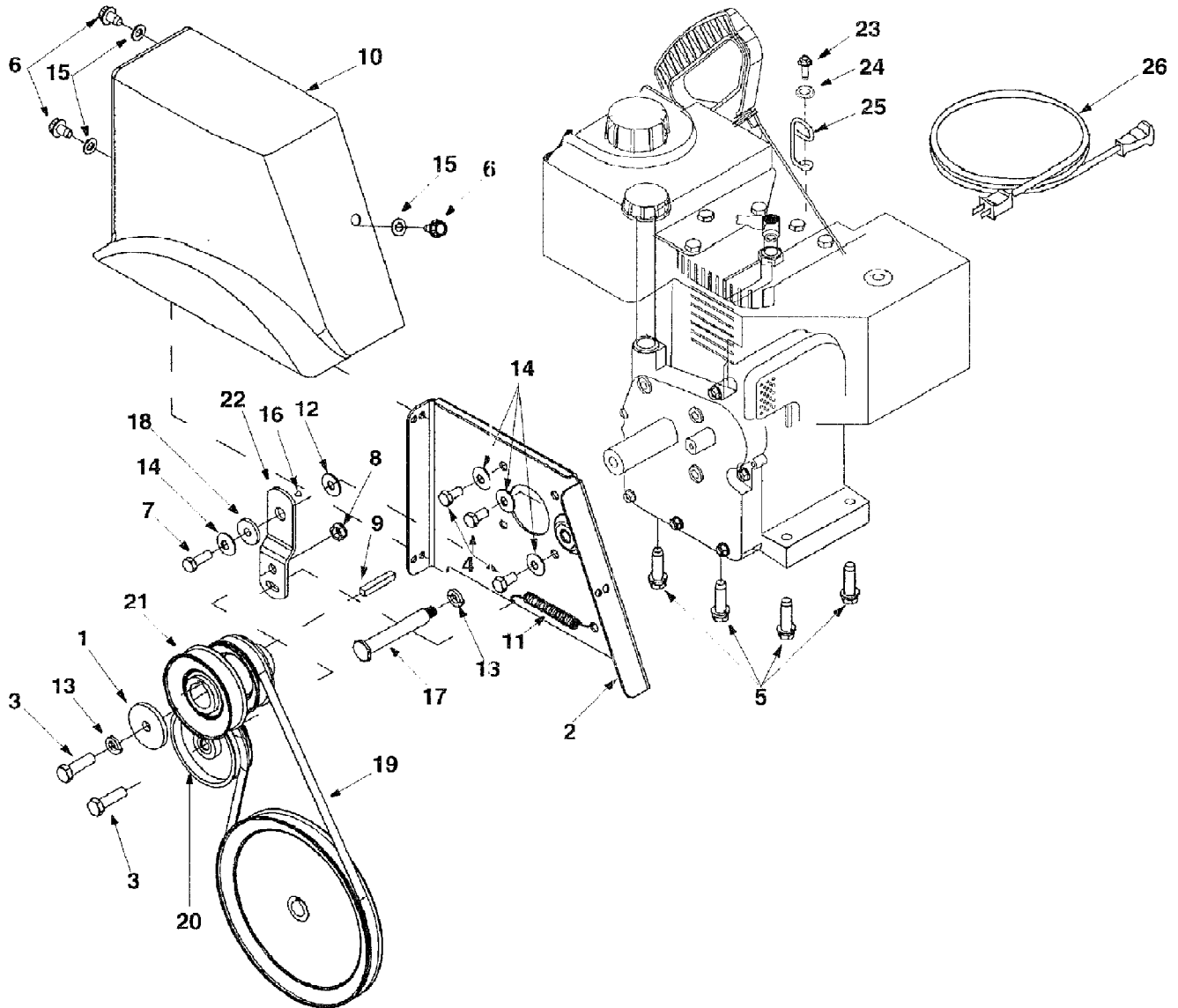
Page 4 of 22

Ref #	Part Number	Qty	S/P/F	Description
1	05244A	1	S	Bearing Housing
2	618-0281A	1	S	Bracket Assembly: Auger Break
3	684-0090A	1	S	Impeller Assembly: 16"
4	710-0371	1	/P	Hex Lock Bolt 5/16-18 x .875"
5	710-0451	1	/P	Carriage Bolt 5/16-18 x .750"
6	710-0459A	1	/P	Hex Screw, Special 3/8-24 x 1.5"
7	710-0528	1	/P	Hex Screw 5/16-18 x 1.25"
8	710-0604	1	S	Self-Tapp. Screw 5/16-18 x .625"
9	710-0891	1	/P	Shear Bolt 5/16-18 x 1.75"
10	711-0640	1	S	Stud
11	711-0677	1	S	Ferrule
12	712-0116	1	S	Jam Nut 3/8-24
13	712-0429	1	S	Hex Lock Nut 5/16-18
14	712-3010	1	S	Hex Nut 5/16-18
15	714-0104	1	S	Hairpin Clip
16	714-0126	1	S	Key
17	714-0135	1	S	Key
18	715-0118	1	S	Spiral Pin
19	731-1696	1	S	Chute Adapter
20	732-0858	1		Extension Spring
21	736-0119	1	S	Lock Washer
22	736-0159	1	S	5/16 Washer
23	736-0169	1	S	Lock Washer
24	736-0174	1	/P	Wave Washer
25	736-0242	1	/P	Beleville Washer
26	736-0250	1	/P	Flat Washer
27	736-0271	1	S	Spring Washer
28	736-3008	1	S	Flat Washer
29	737-3007	1		Grease
30	738-0281	1	S	Shoulder Screw
31	741-0185	1	S	Self-Aligning Bearing
32	741-0192	1		Flange Bearing w/Flats
33	741-0475	1	S	Plastic Bushing
34	741-0494	1		Flange Bushing
35	747-0980	1		Idler Rod: Auger
36	754-0222	1	S	V-Belt
37	756-0178	1		Flat Idler
38	756-0243	1		Pulley
39	784-0385A	1	S	Idler Bracket: Auger
40	784-5076	1	S	Support Bracket
41	784-5123	1	S	Chute Crank Bracket
42	784-5710	1	S	Support Plate
43	784-5711	1	S	Chute Bracket
44	618-0436	1		Gear Assembly: Auger w/Grease Fitting
45	684-0072	1	/P	Spiral Assembly RH
46	684-0073	1	/P	Spiral Assembly LH
47	684-0155	1		Auger Housing Assembly
48	710-3008	1	/P	Hex Screw 5/16-18 x .75"
49	737-3000	1	S	Lube Fitting
50	738-0492	1		Spiral Axle
51	749-1117	1		Support Tube
52	784-0315	1	S	Bearing Housing
53	784-5696	1	S	Support Plate

31AE993J190 Snow Boss 1355W (2001)  
Blower Housing

---

Ref #	Part Number	Qty	S/P/F	Description
54	710-0389	1	/P	Carriage Screw
55	710-3168	1	/P	Carriage Bolt
56	712-0798	1	/P	Hex Nut 3/8-16
57	736-0105	1	/P	Bell Washer
58	784-5697	1		Slide Shoe



**NOTE:** For **painted parts**, please refer to the list of color codes below. Please add the applicable color code, wherever needed, to the part number to order a replacement part. For instance, if a part, numbered 700-xxxx, is painted Oyster Gray, the part number to order would be 700-xxxx-0662.

Oyster Gray: 0662  
Powder Black: 0637  
Red Metallic: 0650

31AE993J190 Snow Boss 1355W (2001)  
Drive Belt

Page 7 of 22

Ref #	Part Number	Qty	S/P/F	Description
1	07386	1		Washer
2	684-0123A	1	S	Belt Cover Bracket Assembly
3	710-0191	1	/P	Hex Screw 3/8-24 x 1.25"
4	710-0237	1	/P	Hex Screw 5/16-24 x .625"
5	710-0502A	1	/P	Tf Sems Screw
6	710-0607	1	/P	Tf Screw 5/16-18 x 0.5"
7	710-1245	1	/P	Hex Lock Screw 5/16-24 x .875"
8	712-0116	1	S	Jam Nut
9	714-0118	1	/P	Key
10	731-0321	1	S	Belt Cover
11	732-0303	1	S	Extension Spring
12	736-0159	1	S	5/16 Washer
13	736-0217	1	S	Lock Washer
14	736-0242	1	/P	Beleville Washer
15	736-0264	1	S	Flat Washer
16	737-3007	1		Grease
17	738-0215A	1	/P	Shoulder Screw
18	748-0234	1	/P	Shoulder Spacer
19	754-0131	1	S	V-Belt
20	756-0240	1		Flat Idler
21	756-0241B	1	/P	Double Pulley
22	784-5726	1		Idler Bracket
23	712-0324	1	/P	Hex Lock Nut: 1/4-20
24	732-0705	1		Cable Guide
25	736-0173	1	/P	Flat Washer
26	629-0071	1	S	Extension Cord: 110V, 3-prong

31AE993J190 Snow Boss 1355W (2001)  
Drive Pivot Plate Assembly (S/N XXXXX - XXXXX)

To eliminate the continuous wear of the transmission frame in the area of the drive pivot plate assembly, two hex bushings have been added to the pivot rod to support the assembly in the frame. (See figures 1a & 1b)

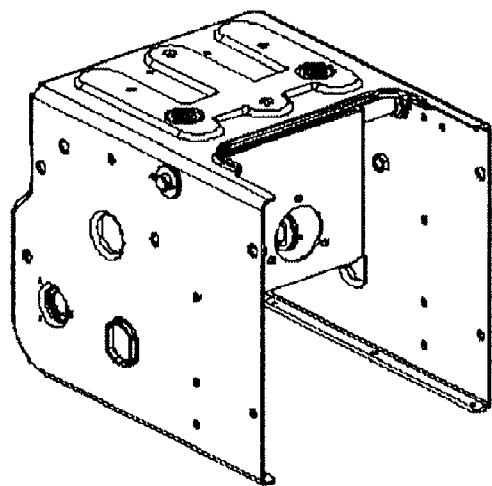


Figure 1a

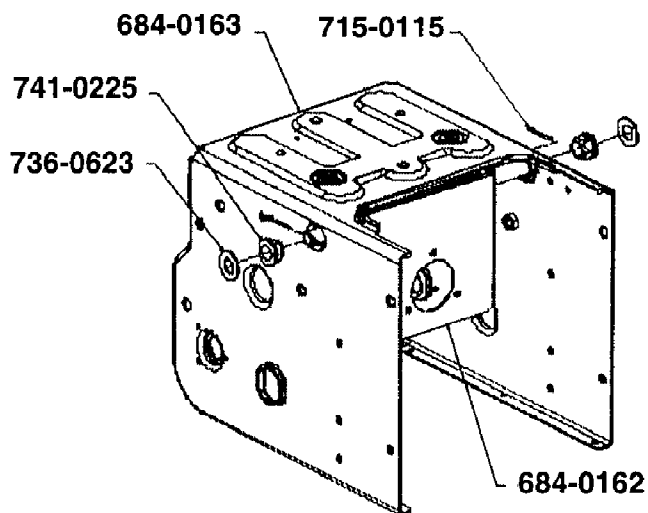


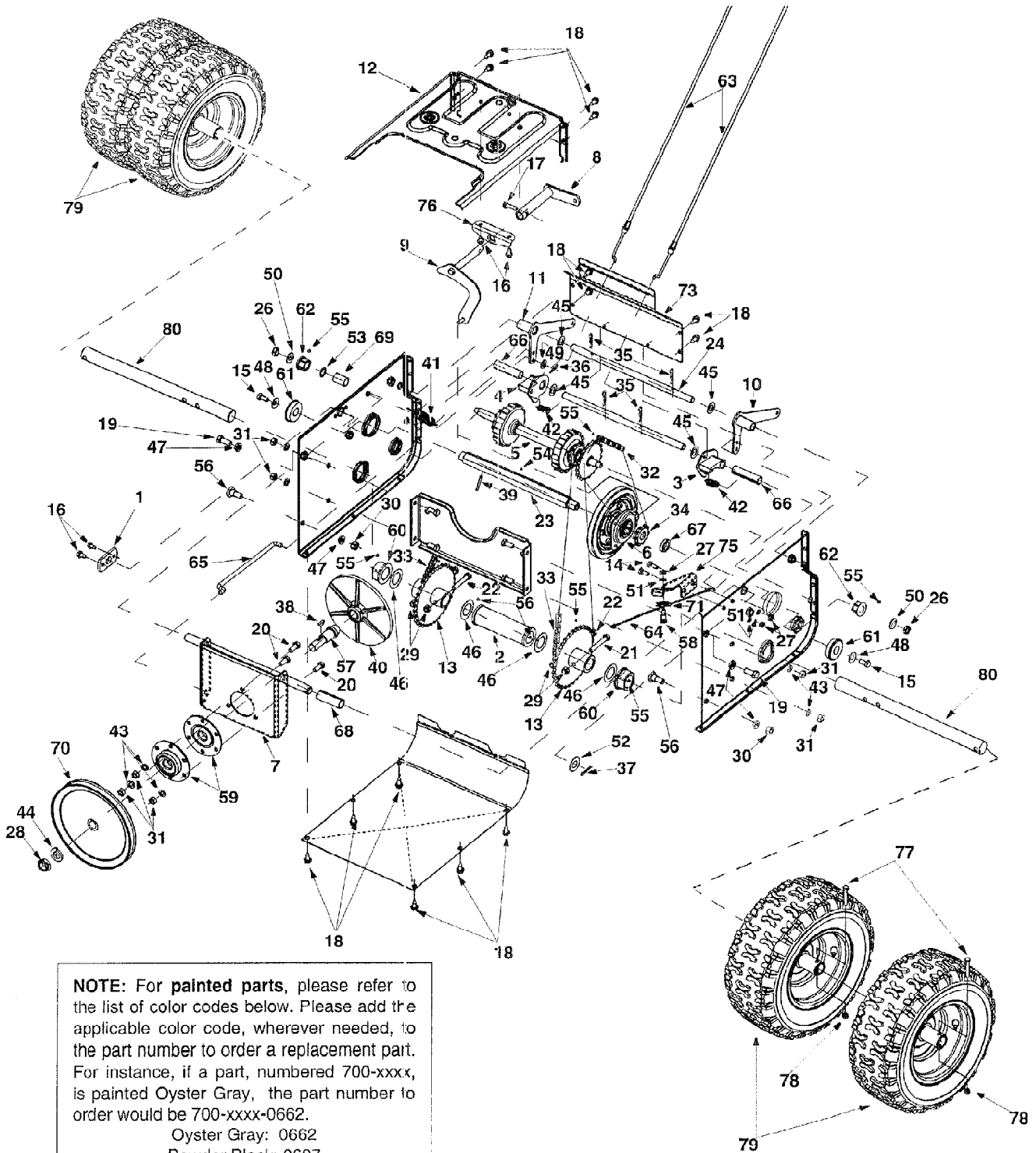
Figure 1b



31AE993J190 Snow Boss 1355W (2001)  
Drive Pivot Plate Assembly (S/N XXXXX - XXXXX)

---

Ref #	Part Number	Qty	S/P/F	Description
684-0162	684-0162	1	S	Drive Pivot Plate
684-0163	684-0163	1		Trans. Frame
715-0115	715-0115	2		Cotter Pin
736-0623	736-0623	2	S	Washer
741-0225	741-0225	2	S	Bushing



**NOTE:** For **painted parts**, please refer to the list of color codes below. Please add the applicable color code, wherever needed, to the part number to order a replacement part. For instance, if a part, numbered 700-xxxx, is painted Oyster Gray, the part number to order would be 700-xxxx-0662.

Oyster Gray: 0662  
 Powder Black: 0637  
 Red Metallic: 0650

31AE993J190 Snow Boss 1355W (2001)  
Frame & Drive Assembly

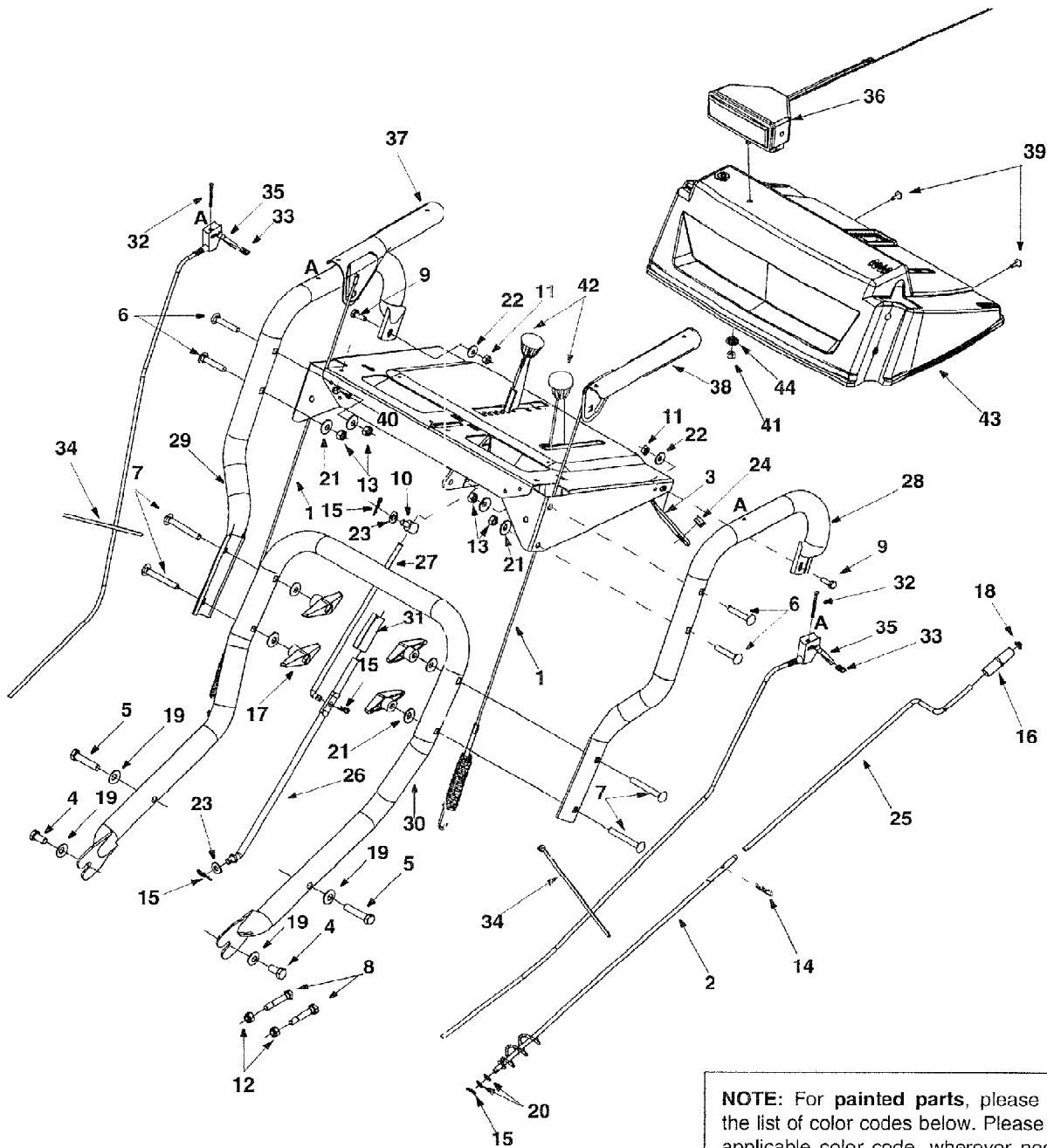
Page 11 of 22

Ref #	Part Number	Qty	S/P/F	Description
1	05523	1		Support Bracket: Pivot
2	618-0278	1		Bush Assembly
3	618-0279	1	S	Dogg Assembly LH
4	618-0280	1	S	Dogg Assembly RH
5	618-0282B	1	S	Shift Assembly
6	618-0296	1	S	Wheel Bearing Assembly
7	684-0115	1	S	Support Bracket Assembly
8	684-0116	1		Shift Arm Assembly
9	684-0117	1		Shift Rod Assembly
10	684-0118	1	S	Auger Actuator Bracket Assy.
11	684-0119	1	S	Drive Actuator Bracket Assy.
12	684-0120	1		Frame Assembly
13	684-0122	1		Sprocket Assembly
14	710-0195	1	S	Hex Screw 1/4-28 x .625"
15	710-0538	1	/P	Hex Screw 5/16-18 x .625"
16	710-0599	1	/P	TT Screw 1/4-20 x .5"
17	710-0788	1	/P	TT Screw 1/4-20 x 1"
18	710-1652	1	/P	TT Screw 1/4-20 x .625"
19	710-3001	1	/P	Hex Screw 3/8-16 x .880"
20	710-3008	1	/P	Hex Screw 5/16-18 x .75"
21	710-3103	1	/P	Hex Screw 5/16-18 x 2"
22	710-3180	1	/P	Hex Screw 5/16-18 x 1.75"
23	711-1191	1		Hex Shaft: Drive
24	711-1193	1		Actuator Shaft
?25	711-1194	1		Actuator Drive Shaft
26	712-0116	1	S	Lock Nut
27	712-0138	1	S	Hex Nut 1/4-28
28	712-0221	1		Jam Lock Nut
29	712-0429	1	S	Hex Lock Nut
30	712-0798	1	/P	Hex Nut 3/8-16
31	712-3010	1	S	Hex Nut 5/16-18
32	713-0284	1		Chain
33	713-0286	1	/P	Chain
34	713-0413	1		Sprocket
35	714-0101	1	S	Hairpin Clip
36	714-0104	1	S	Hairpin Clip
37	714-0115	1	S	Cotter Pin
38	714-0388	1	S	Key
39	715-0249	1	S	Roll Pin
40	717-0302	1	S	Drive Plate
41	732-0121	1	S	Extension Spring
42	732-0209	1	S	Extension Spring
43	736-0119	1	S	Lock Washer 5/16
44	736-0158	1	S	Lock Washer 5/8
45	736-0160	1	S	Flat Washer
46	736-0163	1	S	Flat Washer
47	736-0217	1	S	Lock Washer
48	736-0242	1	/P	Beleville Washer
49	736-0275	1	S	Flat Washer
50	736-0300	1	S	Flat Washer
51	736-0329	1	S	Lock Washer
52	736-0623	1	S	Flat Washer
53	736-0639	1		Flat Washer

31AE993J190 Snow Boss 1355W (2001)  
Frame & Drive Assembly

Page 12 of 22

Ref #	Part Number	Qty	S/P/F	Description
54	737-0170	1		Lubricant
55	737-3007	1		Grease
56	738-0143	1	/P	Shoulder Screw
57	738-0279	1		Spindle: Drive Plate
58	738-0924	1	S	Shoulder Screw 1/4-28 x .375"
59	741-0163A	1	/P	Bearing Housing Assembly
60	741-0192	1		Flange Bearing
61	741-0563	1	S	Ball Bearing
62	741-1111	1		Hex Flange Bearing
63	746-0949	1	S	Steer Cable
64	746-0951	1	S	Idler Cable: Auger
65	747-0973	1		Clutch Rod: Drive
66	750-0903	1	S	Split Spacer
67	750-0997	1	S	Spacer
68	750-1097	1		Split Spacer
69	750-1196	1		Spacer
70	756-0344	1	/P	Drive Pulley
71	756-0625	1		Roller Cable
?72	784-0377	1	S	Frame Support Bracket
73	784-0379	1		Frame Cover: Upper
?74	784-0380	1		Frame Cover: Lower
75	784-0384	1	S	Auger Cable Bracket
76	784-5590	1		Bracket: Shift-Frame
77	710-3103	1	/P	Hex Screw 5/16-18 x 2"
78	712-0429	1	S	Lock Nut
79	734-1593	1		Wheel
80	738-1137	1		Axle: Wheel



**NOTE:** For **painted parts**, please refer to the list of color codes below. Please add the applicable color code, wherever needed, to the part number to order a replacement part. For instance, if a part, numbered 700-xxxx, is painted Oyster Gray, the part number to order would be 700-xxxx-0662.

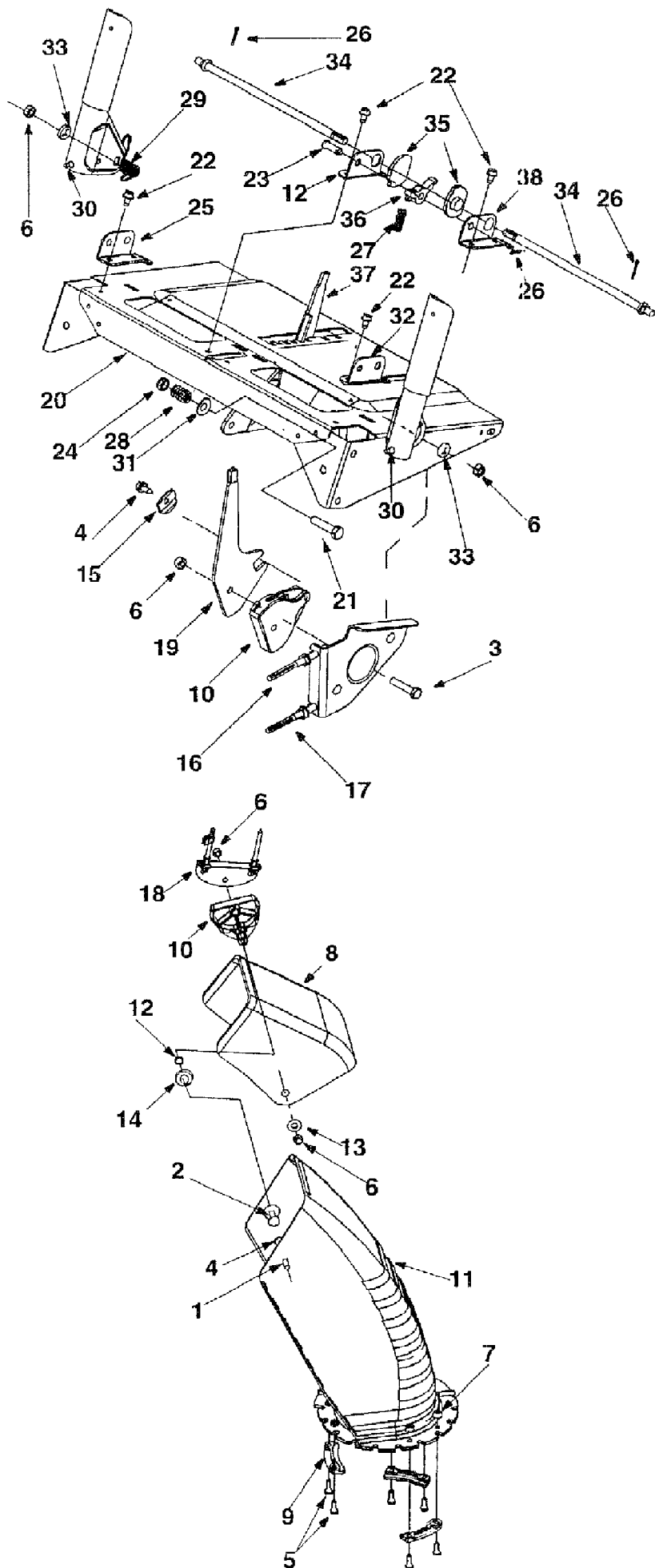
Oyster Gray: 0662  
 Powder Black: 0637  
 Red Metallic: 0650

31AE993J190 Snow Boss 1355W (2001)  
Handle & Control Assembly

Page 14 of 22

Ref #	Part Number	Qty	S/P/F	Description
1	646-0012	1		Cable Assembly: Auger/Drive Engagement
2	684-0053A	1	S	Chute Crank Assembly
3	705-5266	1	S	Chute Crank Bracket
4	710-0216	1	/P	Hex Screw 3/8-16 x .75"
5	710-0347	1	/P	Hex Screw 3/8-16 x 1.75"
6	710-0458	1	/P	Carriage Bolt 5/16-18 x 1.75"
7	710-0572	1	/P	Carriage Bolt 5/16-18 x 2.5"
8	710-0891	1	/P	Shear Bolt 5/16-18 x 1.75"
9	710-3015	1	/P	Hex Screw 1/4-20 x .75"
10	711-0677	1	S	Ferrule
11	712-0287	1	S	Hex Nut 1/4-20
12	712-0429	1	S	Hex Lock Nut
13	712-3010	1	S	Hex Nut
14	714-0101	1	S	Hairpin Clip
15	714-0104	1	S	Hairpin Clip
16	720-0201A	1	/P	Chute Crank Knob
17	720-0284	1	S	Knob
18	726-0100	1	S	Push Cap
19	736-0105	1	/P	Bell Washer
20	736-0185	1	S	Flat Washer
21	736-0242	1	/P	Beleville Washer
22	736-0270	1	/P	Bell Washer
23	736-0275	1	S	Flat Washer
24	741-0475	1	S	Plastic Bushing
25	747-0624	1	S	Chute Crank
26	747-0983	1	S	Lower Shift Rod
27	747-0997	1		Upper Shift Rod
28	749-0989A	1		Upper Handle LH
29	749-0990A	1		Upper Handle RH
30	749-0991	1		Lower Handle
31	750-0963	1	S	Clutch Rod Connector
32	710-1625	1		Oval C-Sunk Screw
33	712-0127	1	/P	Flat Weld Nut
34	725-0157	1	/P	Cable Tie
35	746-0950	1	S	Trigger Control
36	625-0007	1	S	Light Assembly
	725-1658	1	S	Halogen Lamp
	725-1672	1	S	Lens Assembly
37	705-5218	1		Handle Engagement RH
38	705-5219	1		Handle Engagement LH
39	710-1003	1	/P	Special B Screw
40	712-0271	1	/P	Hex Sems Nut
41	712-0429	1	S	Hex Lock Nut
42	720-0232	1	S	Shift Knob
43	731-0061	1		Handle Panel
44	736-0159	1	S	5/16 Washer

31AE993J190 Snow Boss 1355W (2001)  
Handle Panel & Chute Assembly



31AE993J190 Snow Boss 1355W (2001)  
Handle Panel & Chute Assembly

Page 16 of 22

Ref #	Part Number	Qty	S/P/F	Description
1	710-0276	1	/P	Carriage Screw
2	710-0458	1	/P	Carriage Bolt 5/16-18 x 1.75"
3	710-0805	1	/P	Hex Bolt 5/16-18 x 1.5"
4	710-0896	1	/P	Hex AB Screw 1/4-14 x .625"
5	710-3015	1	/P	Hex Screw 1/4-20 x .75"
6	712-0429	1	S	Hex Lock Nut
7	712-3027	1	S	Hex Flange Lock Nut
8	731-0846C	1	/P	Upper Chute
9	731-0851A	1	/P	Chute Flange Keeper
10	731-1313C	1	/P	Cable Guide: Chute Tilt
11	731-0903D	1	S	Lower Chute
12	784-5680	1	S	Handle Suppt. Bracket 5/8 RH
13	736-0159	1	S	5/16 Washer
14	736-0231	1	S	Flat Washer
15	736-0506	1	S	Special Washer
16	746-0902	1	S	Chute Control Cable
17	746-0903	1	S	Chute Cable w/Clip
18	784-5594	1		Cable Bracket
19	784-5604	1	S	Chute Tilt Handle
20	684-0102	1		Handle Panel Assembly w/ Tilt
21	710-0459A	1	/P	Hex Bolt 3/8-24 x 1.5"
22	710-0599	1	/P	TT Screw 1/4-20 x 0.5"
23	711-0653	1	/P	Clevis Pin
24	712-0116	1	S	Jam Nut
25	784-5682	1	S	Handle Suppt. Bracket 3/8 RH
26	714-0507	1	S	Cotter Pin
27	732-0145	1	/P	Spring
28	732-0193	1	/P	Spring
29	732-0746	1		Torsion Spring
30	735-0199A	1	S	Rubber Bumper
31	736-0105	1	/P	Bell Washer
32	784-5681	1	/P	Handle Suppt. Bracket 3/8 LH
33	736-0509	1		Special Washer
34	747-0877	1		Cam Rod
35	748-0362	1		Cam: Handle Lock
36	748-0363	1	S	Pawl: Handle Lock
37	784-5619A	1	S	Shift Handle
38	784-5679	1	S	Handle Suppt. Bracket 5/8 LH

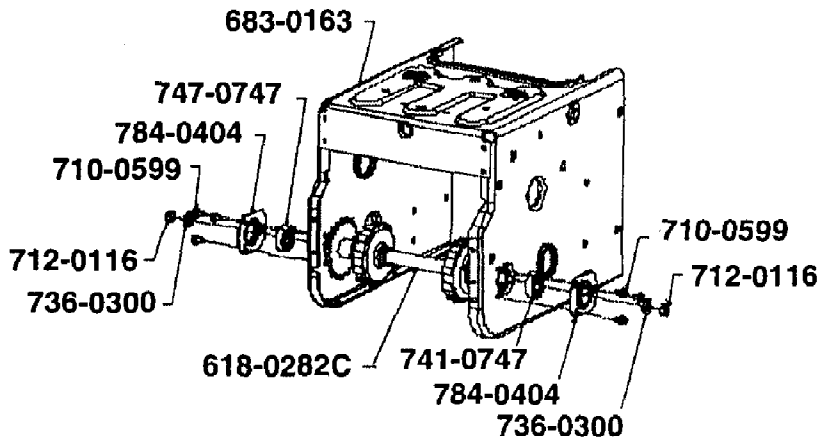


31AE993J190 Snow Boss 1355W (2001)  
Planetary Ball Bearings (S/N XXXXX - XXXXX)

Due to the early fatigue of the powder metal hex bushings used to support the planetary in the frame they have been replaced with ball bearings.

**Retrofit:**

For units built in the past, the bore of the hex bushing 741-1111 which was used to support the planetary could be opened up to a diameter of .75 +/- .005 inches to accept needle bearing #741-0136.



31AE993J190 Snow Boss 1355W (2001)  
Planetary Ball Bearings (S/N XXXXX - XXXXX)

Page 18 of 22

Ref #	Part Number	Qty	S/P/F	Description
618-0282C	618-0282C	1	S	Planetary
683-0163	683-0163	1	S	Trans. Frame
710-0599	710-0599	6	/P	Screw
712-0116	712-0116	2	S	Nut
736-0300	736-0300	2	S	Washer
747-0747	747-0747	2		Ball Bearing
784-0404	784-0404	2		Bearing Cup
741-0747	741-0747	1		Ball Bearing

31AE993J190 Snow Boss 1355W (2001)  
Planetary Carriers (S/N XXXXX - XXXXX)

To reduce the wear on the carriers and prolong the life of the planetary assembly, the powder metal bushings in the carriers have been replaced with needle bearings. (See figures 4a, 4b, & 4c)

Figure 4a

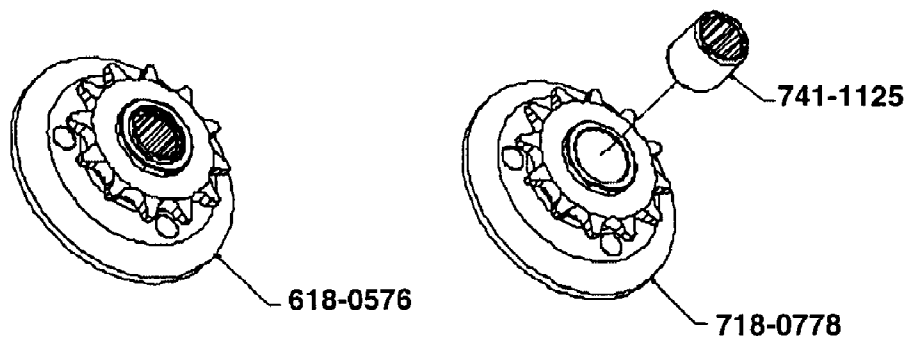
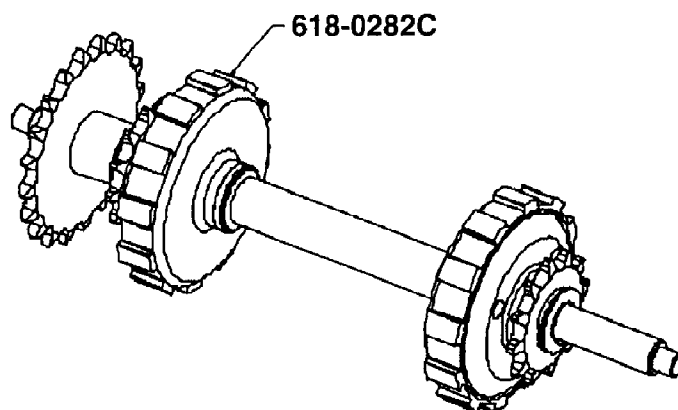


Figure 4b

Figure 4c

31AE993J190 Snow Boss 1355W (2001)  
Planetary Carriers (S/N XXXXX - XXXXX)

Ref #	Part Number	Qty	S/P/F	Description
618-0282C	618-0282C	1	S	Planetary Assy. 900
618-0576	618-0576	2	S	Carrier Assembly
718-0778	718-0778	2		Carrier
741-1125	741-1125	2		Needle Bearing

31AE993J190 Snow Boss 1355W (2001)  
Shift Arm Assembly (S/N XXXXX - XXXXX)

To minimize the wear on the shift arm rod and surrounding area of the frame, the shift arm assembly has been redesigned so that the shift rod pass through two powder metal bushings, as seen in *figures 2a & 2b*.

**NOTE:** Part #684-0161 has replaced Part #684-0116  
Part #784-0403 has replaced Part #784-5590

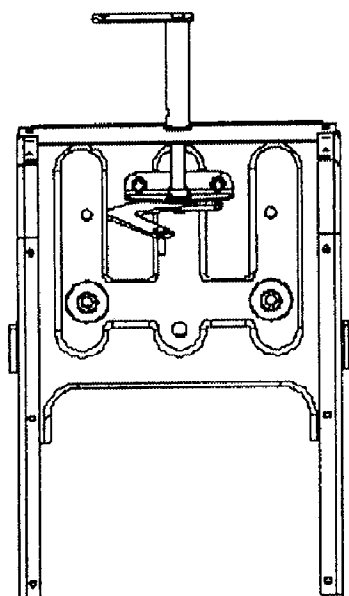


Figure 2a

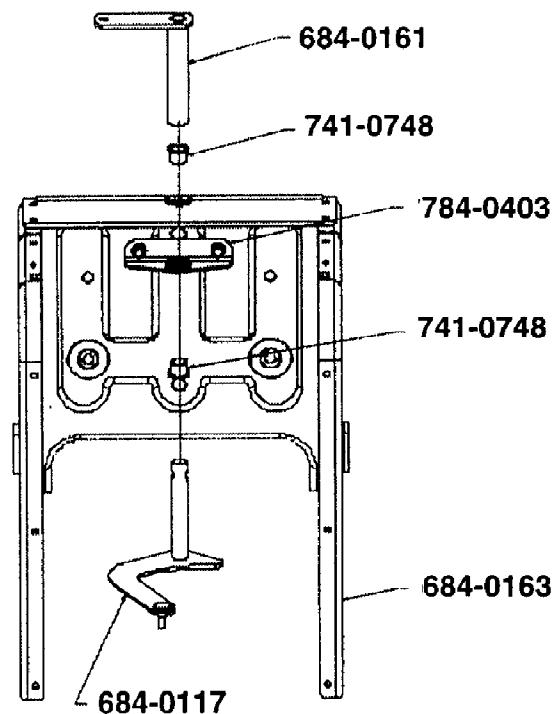


Figure 2b

31AE993J190 Snow Boss 1355W (2001)  
Shift Arm Assembly (S/N XXXXX - XXXXX)

Ref #	Part Number	Qty	S/P/F	Description
684-0117	684-0117	1		Shift Arm
684-0161	684-0161	1	S	Shift Arm Adapter
684-0163	684-0163	1		Trans. Frame
741-0748	741-0748	2		Bushing
784-0403	784-0403	1	S	Shift Arm Bracket